

WINE LIBRARY+



Visibility

The Wine Library's wide display area features LED lights along the perimeter of the door as well as mirrored internal walls, creating a striking effect for the ultimate bottle display with a 360° view effect.



Energy efficient

With LED lighting, 50mm thick insulation, a 20mm thick low emissions, double-glazing glass door and a control system which improves the efficiency of the refrigeration equipment, energy consumption is quite low in this unit.



Elegant design

Sleek, clean lines, transparent bottle racks, mirrored internal walls, stainless steel handles, and modern, laminated wood create an elegant and refined frame to showcase wine bottles.



Internal system

The innovative, ventilated refrigeration system in the Wine Library maintains the correct temperature without using an evaporator.

A shiny point catching everybody's attention

The Wine Library model is designed to create the most attractive wine bottle display in any room. The height of the doors, combined with outstanding LED lighting and mirrored internal walls, provide an elegant and refined frame for wine bottles. With the Wine Library, bottled wine becomes a beautiful focal point in the room, capturing everyone's attention. The Wine Library can be equipped with a humidity control system. Customers can also combine multiple units to create separating walls in large rooms, while also ensuring

visual continuity of the room with the front/rear doors of the product. It is also possible to install the Wine Library on a wall, by simply allowing sufficient ventilation. This one-door version features a mirrored, closed back wall, forming a storage wall for wine and other products.

The Wine Library's door is made of 20mm thick, low emission, double-glazing glass, which is embedded in a frame with magnetic gaskets. The body of the unit is made of a 50mm thick insulating panel.

The arrangement of bottles in the compartment is entirely adjustable, with steel tubes to display bottles horizontally, steel perforated shelves for vertical displays and elegant plexiglas moulded supports to hold bottles in a horizontal position. All customers can find a solution that best suits their needs with the variety of size options available in the Wine Library. There are two or three door models as well as height options from 2600mm (102.5in) or 2200mm (86.5in).



Custom internal layout



	R		C		RC		TRC		A		P		MULTI	
	H220	H260	H220	H260	H220	H260	H220	H260	H220	H260	H220	H260	H220	H260
2P	GK2043 0006	GK2043 0004	GK2008 0015	GK2008 0014	GK2008 0020	GK2008 0021	GK2033 0013	GK2033 0014	GK2033 0020	GK2033 0019	GK2043 0011	GK2043 0012	GK2008 0027	GK2008 0026
2P 4V	GK2043 0007	GK2043 0008	GK2008 0016	GK2008 0017	GK2008 0019	GK2008 0018	GK2033 0012	GK2033 0011	GK2033 0021	GK2033 0022	GK2043 0010	GK2043 0009	GK2008 0028	GK2008 0029
3P CENTRAL	GK2043 0007	GK2043 0008	GK2008 0016	GK2008 0017	GK2008 0019	GK2008 0018	GK2033 0012	GK2033 0011	GK2033 0021	GK2033 0022	GK2043 0010	GK2043 0009	GK2008 0028	GK2008 0029
3P LATERAL	GK2043 0006	GK2043 0004	GK2008 0015	GK2008 0014	GK2008 0020	GK2008 0021	GK2033 0013	GK2033 0014	GK2033 0020	GK2033 0019	GK2043 0011	GK2043 0012	GK2008 0027	GK2008 0026
3P 4V CENTRAL	GK2043 0007	GK2043 0008	GK2008 0016	GK2008 0017	GK2008 0019	GK2008 0018	GK2033 0012	GK2033 0011	GK2033 0021	GK2033 0022	GK2043 0010	GK2043 0009	GK2008 0028	GK2008 0029
3P 4V LATERAL	GK2043 0007	GK2043 0008	GK2008 0016	GK2008 0017	GK2008 0019	GK2008 0018	GK2033 0012	GK2033 0011	GK2033 0021	GK2033 0022	GK2043 0010	GK2043 0009	GK2008 0028	GK2008 0029

R, P stainless steel (R) or plexiglass (P) shelves

C plexiglass supports

T, A stainless steel tubes



Temperature

The temperature settings in this unit range from 4°C to 20°C, which can be set easily by the operator.



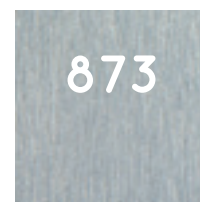
Modular size options

Two height options and two or three door models are available. Each unit is equipped with a stand-alone temperature control kit for the refrigerated compartment. Front/rear doors or a closed back well are also options, along with internal mirrored laminate.

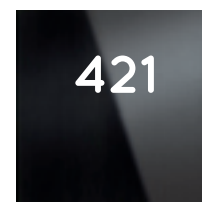


Colour options

The wood laminate body is available in both semi-glossy black and brushed aluminium grey. The unit's door frames are made of anodized aluminium in silver or black.



Brushed Aluminium Grey



Semi-Glossy Black

WINE LIBRARY+

WALL 2P H260

ISLAND 2P H260



4V 2P H220



WINE LIBRARY+ 2P



°F



(up to)



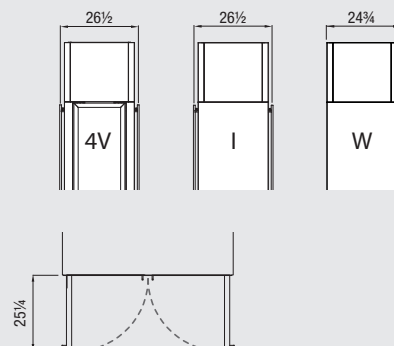
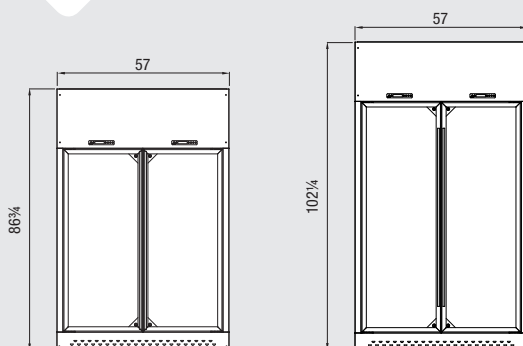
L

D

H

WINE LIBRARY+ ISLAND 2P H260	A1WLUI2P266*	+39 +68	420	57	26½	102¼
WINE LIBRARY+ ISLAND 2P H220	A1WLUI2P226*	+39 +68	336	57	26½	86¾
WINE LIBRARY+ WALL 2P H260	A1WLUW2P266*	+39 +68	420	57	24¾	102¼
WINE LIBRARY+ WALL 2P H220	A1WLUW2P226*	+39 +68	336	57	24¾	86¾
WINE LIBRARY+ 4V 2P H260	A1WLU4V2P266*	+39 +68	420	57	26½	102¼
WINE LIBRARY+ 4V 2P H220	A1WLU4V2P226*	+39 +68	336	57	26½	86¾

A.T. 86°F - R.H. 55%
CLIMATE CLASS 4



ISLAND 3P H260

4V 3P H220



WINE LIBRARY+ 3P



°F

(up to)

L

D

H

WINE LIBRARY+ ISLAND 3P H260	A1WLUI3P266*	+39 +68	630	83¾	26½	102¼
WINE LIBRARY+ ISLAND 3P H220	A1WLUI3P226*	+39 +68	504	83¾	26½	86¾
WINE LIBRARY+ WALL 3P H260	A1WLUW3P266*	+39 +68	630	83¾	24¾	102¼
WINE LIBRARY+ WALL 3P H220	A1WLUW3P226*	+39 +68	504	83¾	24¾	86¾
WINE LIBRARY+ 4V 3P H260	A1WLU4V3P266*	+39 +68	630	83¾	26½	102¼
WINE LIBRARY+ 4V 3P H220	A1WLU4V3P226*	+39 +68	504	83¾	26½	86¾

A.T. 86°F - R.H. 55%
CLIMATE CLASS 4

